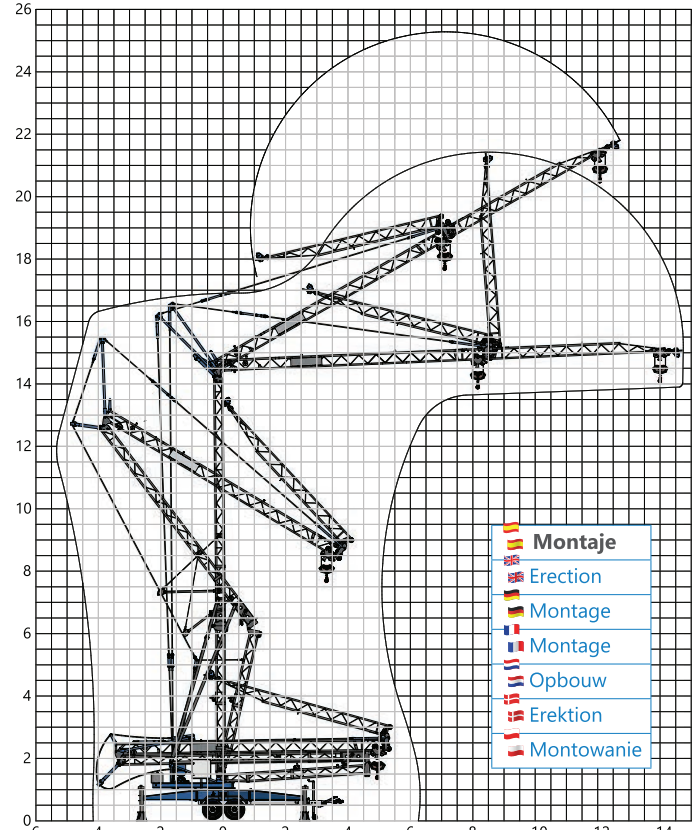
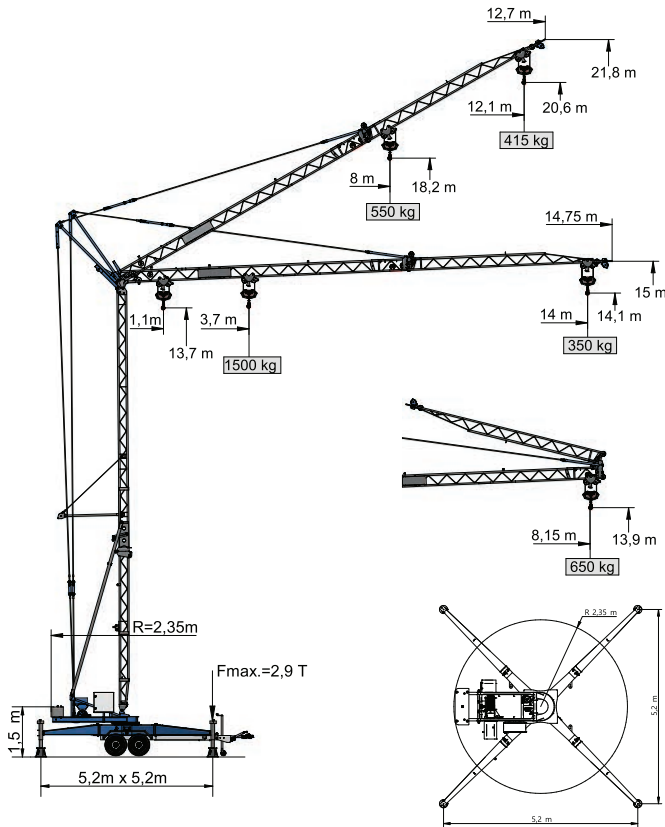
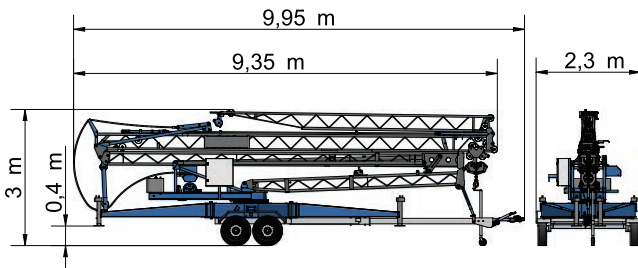


The Trailer Crane Company

LT 14.14 RD-XP



Transporte
 Transport
 Transport
 Transport
 Transport
 Transport
 Transporte



RD-XP: ROAD EXPRESS TRAILER
B+E: MNR 3500 Kg

Mecanismos
 Mechanisms
 Triebwerke
 Mécanismes
 Mechanismen
 Mekanismer
 Mechanizmy

		1st	2nd	3rd	
↔	m/min	8,60	21,50	-	
	rpm	0,38	1,00	-	
↕	Horiz	m/min	11	19	29,50
		Kg	≤ 1500	< 800	< 500
	M E D	m/min	11	19	29,50
		Kg	≤ 1150	< 550	< 400
	M I N	m/min	11	19	29,50
		Kg	≤ 650	< 550	< 400
30°	m/min	11	19	29,50	
	Kg	≤ 650	< 550	< 300	
1/2 JiB	m/min	11	19	29,50	
	Kg	≤ 800	< 750	< 400	

	KW	CV
↑	2,20	3,00
↻	0,55	0,75
↔	0,75	1,00
↘	0,75	1,00
⚙️	0,37	0,50

230V 50 Hz 16 A 4 KVA

Contrapesos

Ballast
 Gegengewichte
 Contrepoids
 Ballast
 Ballast
 Przeciwwagi

KG	SC ST	SC RD-XP	ST	RD	RD-XP
FIX	-	600	-	600	540
EXTRA	600		2000	1000/1400	-